

VB Series
Vertical
Balers



CRAM-A-LOT®
J.V. Manufacturing, Inc.
Solid Waste & Recycling Equipment



“Equipping The World For A Better Environment”

REVOLUTIONARY!



Loading Gate

Advancements in component technology and superior engineering have allowed Cram-A-Lot to solve the age-old chain, sprocket and pulley reliability problems. Over two years of research have resulted in our innovative, patented design solution. This is absolutely the most reliable and smoothest operating design on the market.

No Chains, Sprockets or Pulleys!



Control Panel

Innovatively designed electrical circuit reduces maintenance intensive switches and operators by 50%. No limit switches to become misaligned or unsafely over-ridden.

No photo-eyes to clean. No proximity switches to adjust.



Electro-Magnetic Door Interlock System

The patented design securely interlocks loading gate and chamber door. Door is simple to operate with greater security. This is just one of the latest steps in Cram-A-Lot's innovative safety system engineering.



Side Mounted Power Unit

Power unit is mounted on side for service access. Smooth-shift directional control valve provide a quiet operating power unit.

Platen

Platen is guided full length with Ultra-High Molecular Weight (UHMW) guide shoes for superior strength and alignment. Unique design features minimize material migration to top of platen. Stronger structural tubing replaces conventional channel construction. Platen is painted contrasting high visibility color for safety.

Feed Height

Feed Height has been reduced by five inches and to an absolute minimum to consistently produce a 48" high bale.

Feed Opening

Larger feed opening allows larger material to be loaded in the chamber without the need for "breaking down".



Bale Eject System

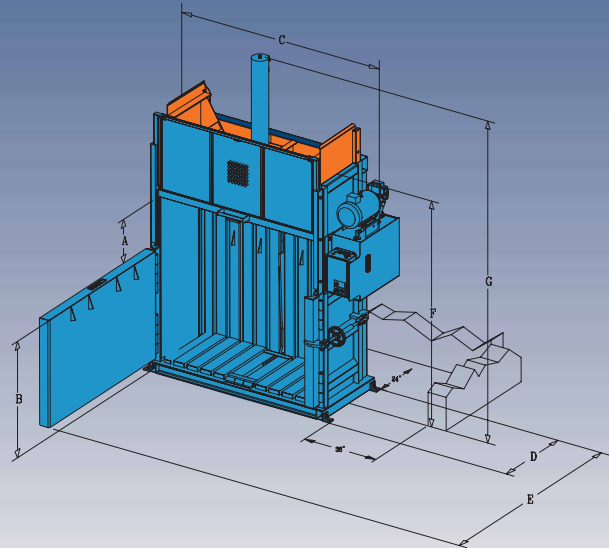
The Cram-A-Lot original patented bale eject system has now been further refined to increase performance and guard against inadvertent activation.



Full Bale Indicator

Cram-A-Lot Balers Units can be custom designed and factory installed to suit your special applications.

Reliable And Proven Components Have Been Lifecycle Tested For Over 10 Years Of Operation



ELECTRICAL REQUIREMENTS
208/230/460 VAC, 3 Phase
Optional: 220 VAC Single Phase

All Cram-A-Lot Balers
conform to all current
ANSI Z 245.5 Safety Standards

STANDARD VERTICAL BALER SPECIFICATIONS

Model		VB-42-B	VB-60-B	VB-60-T	VB-60-H	VB-60-X	VB-72-B	VB-72-H	VB-72-X
A	Feed Opening Height in (mm)	24 (610)	24 (610)	24 (610)	24 (610)	24 (610)	24 (610)	24 (610)	24 (610)
B	Load Height in (mm)	52 (1321)	52 (1321)	52 (1321)	52 (1321)	52 (1321)	52 (1321)	52 (1321)	52 (1321)
C	Overall Width in (mm)	64 (1626)	82 (2083)	82 (2083)	82 (2083)	82 (2083)	94 (2388)	94 (2388)	94 (2388)
D	Overall Depth in (mm)	40.5 (1029)	40.5 (1029)	40.5 (1029)	40.5 (1029)	40.5 (1029)	40.5 (1029)	40.5 (1029)	40.5 (1029)
E	Overall Depth Door open in (mm)	85 (2159)	97 (2464)	97 (2464)	97 (2464)	97 (2464)	109 (2769)	109 (2769)	109 (2769)
F	Frame Height in (mm)	98.5 (2502)	98.5 (2502)	98.5 (2502)	98.5 (2502)	98.5 (2502)	98.5 (2502)	98.5 (2502)	98.5 (2502)
G	Overall Height Installed in (mm)	139.5 (3505)	139.5 (3505)	147.5 (3696)	147.5 (3696)	147.5 (3696)	139.5 (3505)	147.5 (3696)	147.5 (3696)
Nominal Bale Size in (mm)	W	42 (1067)	60 (1524)	60 (1524)	60 (1524)	60 (1524)	72 (1829)	72 (1829)	72 (1829)
	D	30 (762)	30 (762)	30 (762)	30 (762)	30 (762)	30 (762)	30 (762)	30 (762)
	H	48 (1219)	48 (1219)	48 (1219)	48 (1219)	48 (1219)	48 (1219)	48 (1219)	48 (1219)
Bale Weight (OCC) Up To lb (kg)		750 (340)	1,000 (454)	1,200 (544)	1,400 (635)	1,400 (635)	1,200 (544)	1,600 (726)	1,600 (726)
Cylinder in (mm)	B	6 (152)	6 (152)	6 (152)	7 (178)	7 (178)	6 (152)	7 (178)	7 (178)
	S	44 (1118)	44 (1118)	52 (1321)	52 (1321)	52 (1321)	44 (1118)	52 (1321)	52 (1321)
	R	3.5 (89)	3.5 (89)	4 (102)	4 (102)	4 (102)	3.5 (89)	4 (102)	4 (102)
Motor hp (kw)		10 (7.5)	10 (7.5)	15 (11.2)	15 (11.2)	20 (14.9)	10 (7.5)	15 (11.2)	20 (14.9)
Pump @1800 rpm Gpm (l/min)		9 (34)	9 (34)	10.5 (40)	10.5 (40)	13.5 (51)	9 (34)	10.5 (40)	13.5 (51)
System Pressure psi (BAR)		2,100 (145)	2,100 (145)	2,400 (165)	2,400 (165)	2,400 (165)	2,100 (145)	2,400 (165)	2,400 (165)
Platen Force lbs (kN)		59,370 (264)	59,370 (264)	67,850 (302)	92,350 (410)	92,350 (410)	59,370 (264)	92,350 (410)	92,350 (410)
Platen Face Pressure psi (kPa)		66 (456)	45 (310)	51 (352)	69 (476)	69 (476)	37 (255)	57 (393)	57 (393)
Average Cycle Time sec		53	53	50	74	58	53	74	58
(W/Optional Regen)		32	32	31	57	45	32	57	45
Unit Weight lb (kg)		4,500 (2045)	4,700 (2132)	4,750 (2160)	4,800 (2177)	4,850 (2205)	5,200 (2364)	5,300 (2410)	5,350 (2430)

All information is subject to engineering and/or other changes without notice.

Cram-A-Lot® 1-2-3 Warranty

J.V. Manufacturing will furnish without charge:

- 1) All parts and labor expenses through the first year of ownership to remedy any faults proven to be the result of defective materials or workmanship.
- 2) All parts through the second year of ownership to remedy any faults proven to be the result of defective materials or workmanship.
- 3) All labor expenses through the third year of ownership to remedy any structural faults proven to be the result of defective materials or workmanship.

This warranty does not apply to any damage caused by negligence, misuse, modifications, alterations, or accidents by purchaser or third parties.

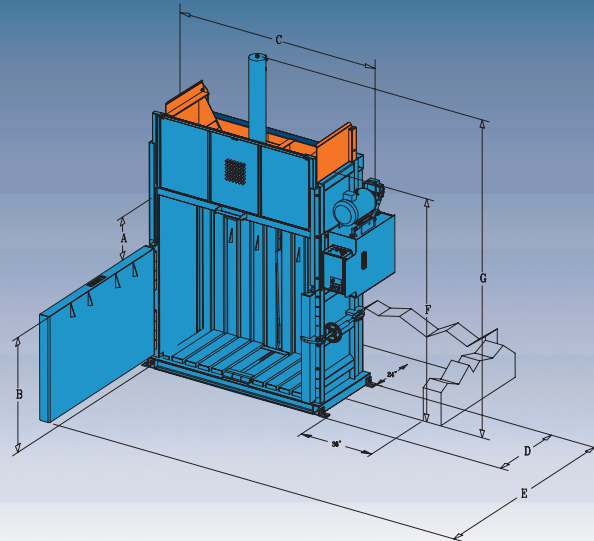
Refer to operation manual for specific warranty coverage.



CRAM-A-LOT®

J.V. Manufacturing, Inc.

Solid Waste & Recycling Equipment



ELECTRICAL REQUIREMENTS
208/230/460 VAC, 3 Phase
Optional: 220 VAC Single Phase

LOW PROFILE AND DEEP CHAMBER VERTICAL BALER SPECIFICATIONS

Model		VB-42-SR	VB-46-LD	VB-60-B-LP	VB-72-H-DC	VB-72-H-LP
A	Feed Opening Height in (mm)	20 (508)	22 (559)	24 (610)	24 (610)	24 (610)
B	Load Height in (mm)	34 (864)	42 (1062)	42 (1067)	52 (1321)	42 (1067)
C	Overall Width in (mm)	63.5 (1613)	69 (1753)	82 (2083)	94 (2388)	94 (2388)
D	Overall Depth in (mm)	33.75 (857)	33.5 (851)	40.5 (1029)	52.5 (1334)	40.5 (1029)
E	Overall Depth Door open in (mm)	73 (1854)	77 (1956)	97 (2464)	121 (3075)	109 (2769)
F	Frame Height in (mm)	78 (1981)	82.25 (2089)	88.5 (2248)	98.5 (2502)	88.5 (2248)
G	Overall Height Installed in (mm)	78 (1981)	118.75 (3016)	119.5 (3016)	147.5 (3696)	119.5 (3086)
Nominal Bale Size in (mm)	W	42 (1067)	46 (1168)	60 (1524)	72 (1829)	72 (1829)
	D	24 (610)	24 (610)	30 (762)	42 (1067)	30 (762)
	H	28 (711)	36 (914)	38 (965)	48 (1219)	38 (965)
Bale Weight (OCC) Up To lb (kg)		400 (181)	400 (181)	900 (409)	1700 (773)	1250 (567)
Cylinder in (mm)	B	3 (76)	4.5 (114)	6 (152)	7 (178)	7 (178)
	S	24 (610)	36 (914)	34 (864)	52 (1321)	38 (965)
	R	1.375 (35)	2.5 (64)	3.5 (89)	4 (102)	4 (102)
Motor hp (kw)		5 (3.7)	5 (3.7)	10 (7.5)	15 (11.2)	15 (11.2)
Pump @1800 rpm Gpm (l/min)		6 (22.7)	6 (22.7)	9 (34)	10.5 (40)	10.5 (40)
System Pressure psi (BAR)		2,000 (138)	2,000 (138)	2,100 (145)	2,400 (165)	2,400 (165)
Platen Force lbs (kN)		23,545 (104)	31,800 (141)	59,370 (264)	92,350 (410)	92,350 (410)
Platen Face Pressure psi (kPa)		31.7 (218)	28.8 (199)	45 (310)	41 (283)	57 (393)
Average Cycle Time sec		23	30	43	74	55
(W/Optional Regen)		N/A	N/A	26	57	34
Unit Weight lb (kg)		2,250 (1021)	2,600 (1179)	4,600 (2090)	5,800 (2636)	5,200 (2364)

Leasing and Rental Programs Available

All information is subject to engineering and/or other changes without notice.

CORPORATE	CRAM-A-LOT® CENTRAL	CRAM-A-LOT® WEST	DISTRIBUTED BY:
P.O. Box 229 701 Butterfield Coach Road Springdale, AR 72765 1-800-678-7320 479-751-7320 479-751-7774 (fax)	108 Hwy 365 S. Conway, AR 72032 1-800-635-6780 501-327-6560 501-329-7931 (fax)	8290 Belvedere Ave. Suite 110 Sacramento, CA 95826 1-888-431-3094 916-456-7676 916-456-7500 (fax)	

www.cram-a-lot.com